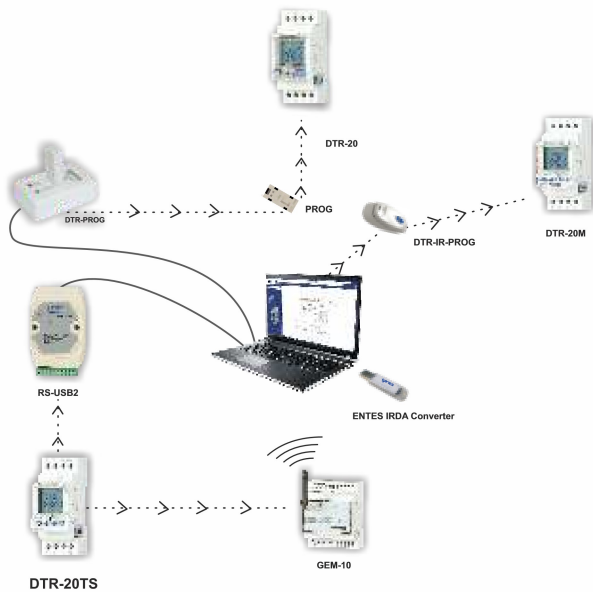
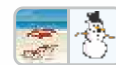


Astronomic Time Relays Electronic Timers

DTR Series / MCB-50/50t



- Automatic sunset and sunrise calculation
- Automatic DST (Daylight Saving Time) switching
- Programming based on city name and geographical coordinates
- 2 relay outputs (16A)
- Battery life of 10 years
- 32 programs, and precise timing
- 24/7 relay programming
- Vacation mode
- Backlight Display
- Password Protection



Automatic DST switch



32 Different Program Slots



Geographical Programming



Sunset/Sunrise



10 Years Battery Life

CE

Configuration Software

With DTR PROG configuration software, all parameters can be set easily and quickly in computer environment. After loading the configuration on the DTR-IR PROG device, these settings can be remotely transferred to multiple DTR-20M devices instantly with IR (Infrared).

PRODUCT SELECTION TABLE

Product Code	Data Transfer	Programmable Prayer Time	24h Time Programming	Geographical Coordinate Programming (Astronomic)	Photocell Sensor Input	15 Programs	32 Programs	1 Relay Output (16A)	2 Relay Output (8A)	2 Relay Output (16A)	Year Battery Life (Years)	Pcs / Box
DTR-10			●	●	●					●	10	16
DTR-10t			●	●	●			●			10	16
DTR-14				●	●	●			●		3	16
DTR-20		PROG	●	●			●			●	10	16
DTR-20S <small>NEW</small>		RS-485	●	●			●			●	10	16
DTR-20TS <small>NEW</small>		RS-485	●	●			●	●			10	16
DTR-20M		IR	●	●			●			●	10	16
DTR-25		●	●	●			●			●	10	16
MCB-50			●				●			●	10	16
MCB-50t			●				●	●			10	16
Programmer												
DTR-PROG	Programmer (for DTR20)											
DTR-IR-PROG	IR Programmer (for DTR20M)											

Protection & Control



Astronomic Time Relays /Electronic Timers

DTR Series / MCB-50/50t

DTR-10/10t: Astronomic Time Relay

DTR-14: Astronomic Time Relay (with Photocell Input)

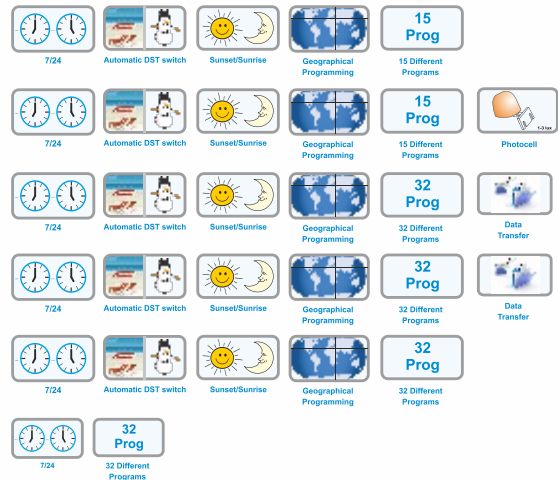
DTR-20/25: Astronomic Time Relay (External Memory)

DTR-20M: Astronomic Time Relay (IR Programming)

DTR-25: Astronomic Time Relay (Praying Time Calculation)

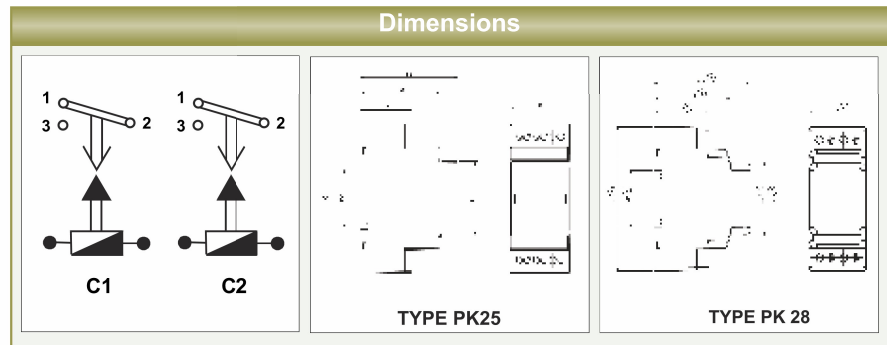
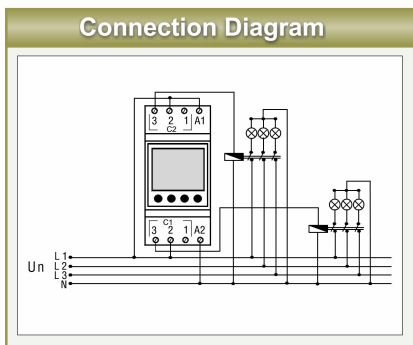
DTR-20S/DTR-20TS: Astronomic Time Relay
(Double Contact/Communication)

MCB-50/50t: Time Relay



SPECIFICATIONS

	DTR-14	DTR-10/25 MCB-50	DTR-10t/ MCB-50t	DTR-20	DTR-20M	DTR-20S	DTR-20TS
ENCLOSURE							
Dimensions	Pk25			Pk28		Pk25	Pk28
Protection Class	IP20						
Weight	0,2 kg						
Display	1,3" LCD						
SUPPLY							
Operating Voltage Range	230 VAC						
Operating Frequency	50/60 Hz						
Operating Range	190-260 VAC					85-265 VAC	
Power Consumption	<3VA	<10VA			<3VA		
INPUT / OUTPUT / SETTINGS							
Output Contact	2CO 8A 250 VAC 2000VA	2CO 16A 250VAC 4000VA	1CO 16A 250VAC 4000VA	2CO 16A 250 VAC 4000VA		1 CO 16A 250 VAC 4000VA	
Refresh Time	60 s.			1 s.			
Accuracy	< 1 sn./gün			<0,5sn./day			
Sensor	CdS(Light-sensitive photoresistor)			-			
Light Intensity	1-3 lux			-			
COMMUNICATION				PROG	IR	RS-485	
AMBIENT CONDITIONS							
Ambient Temperature; Humidity	-10 / +50°C ; % 85						
CONNECTIONS							
Mounting	Rail mounting; Screw Terminals						
Connection Type	Single Phase 2 Wires						



Connection diagrams are given for reference. Please always check the latest user manual given with product or download from www.entec.com.tr

